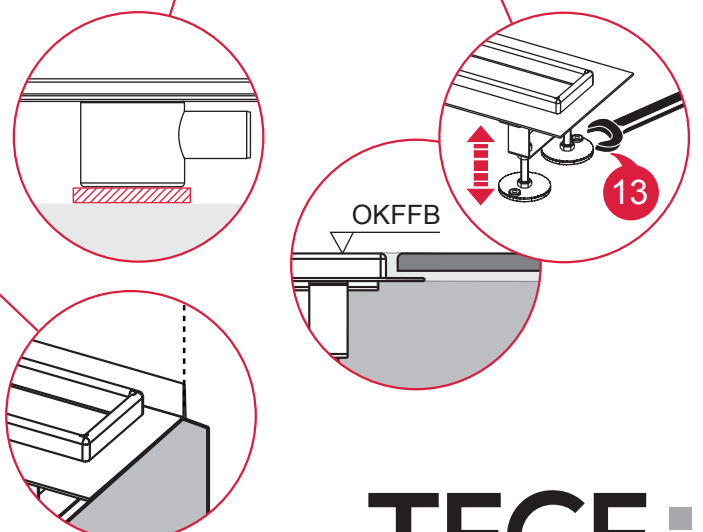
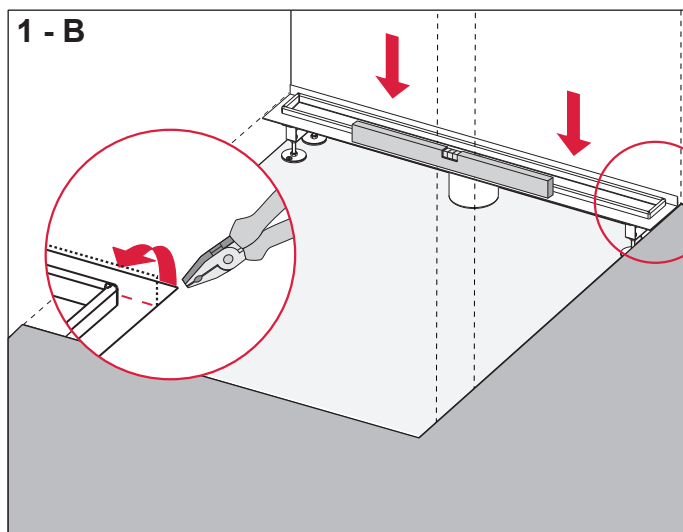
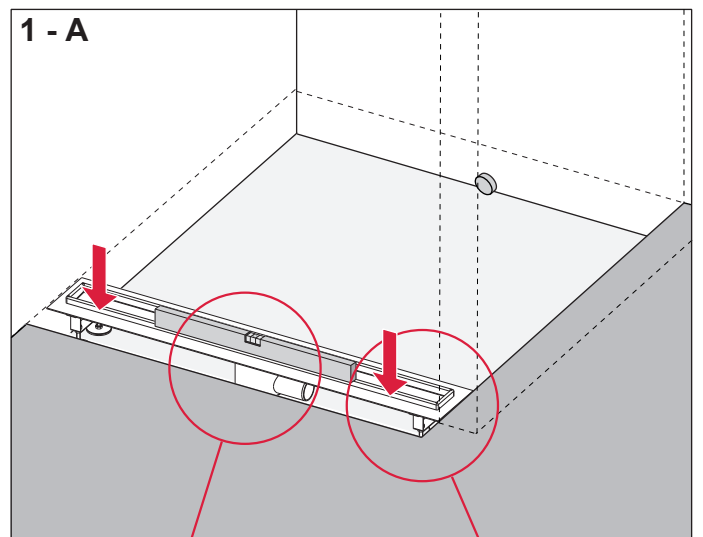
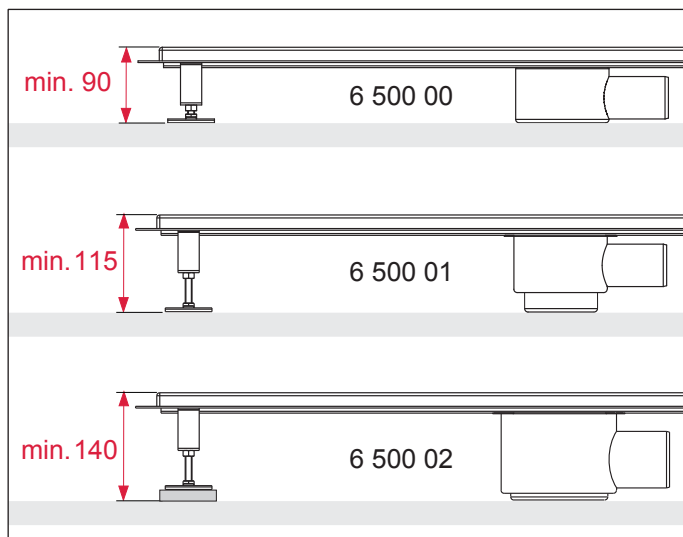
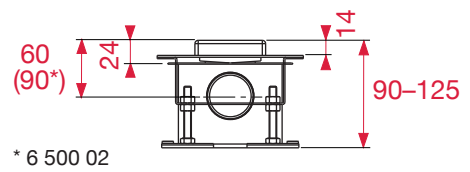
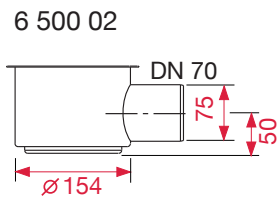
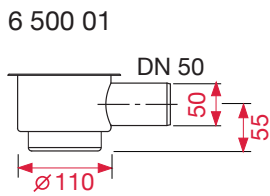
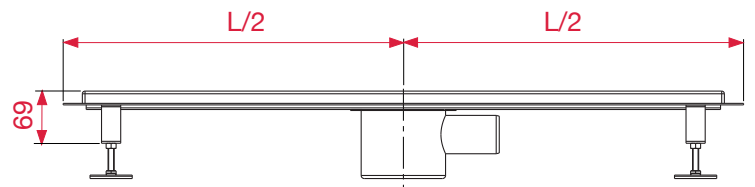
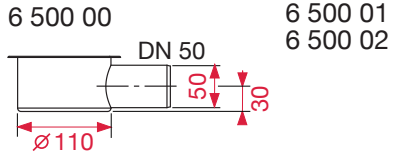
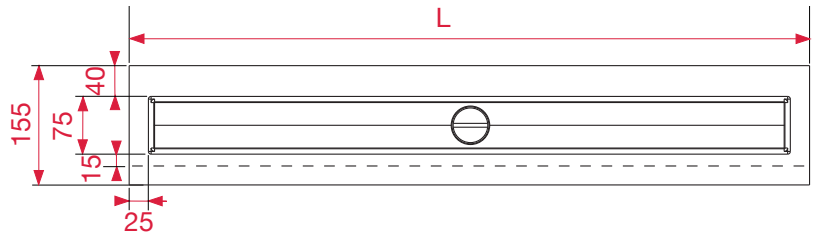
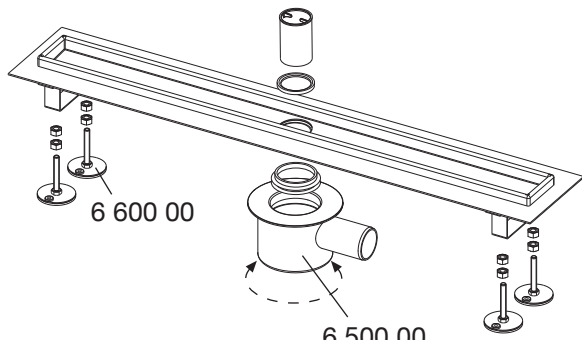
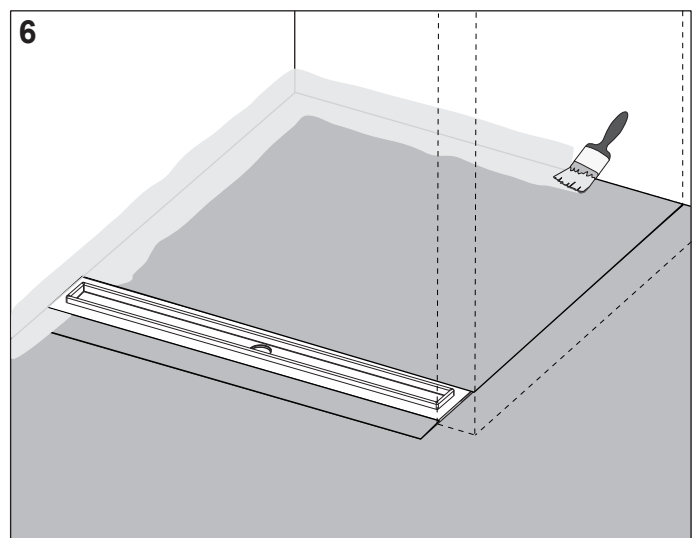
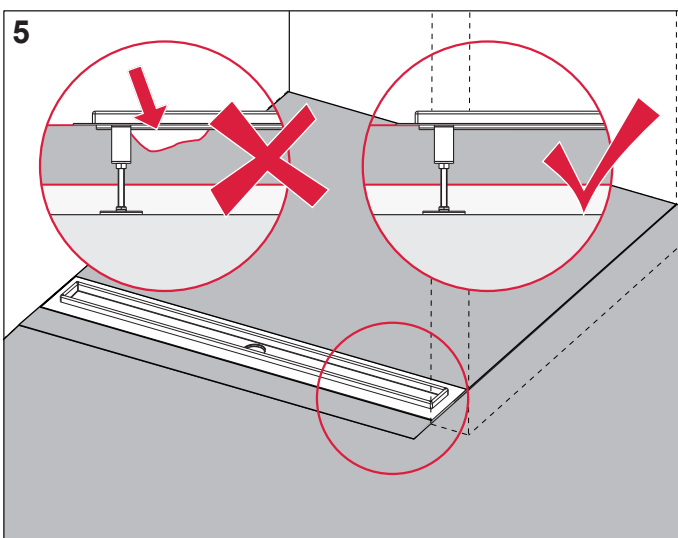
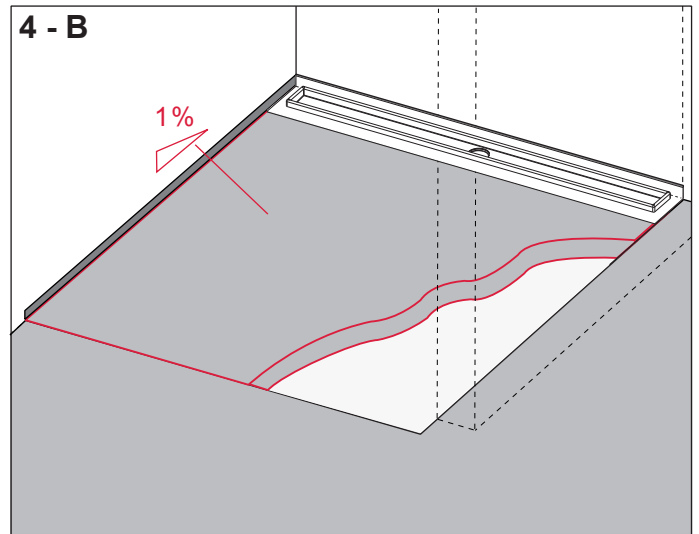
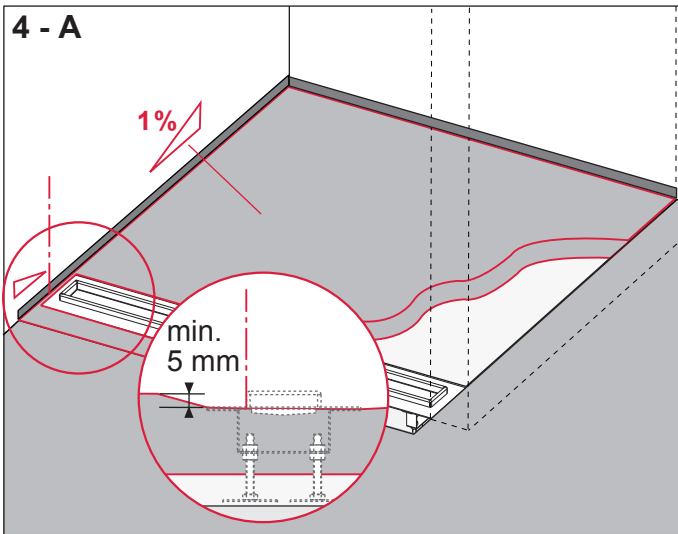
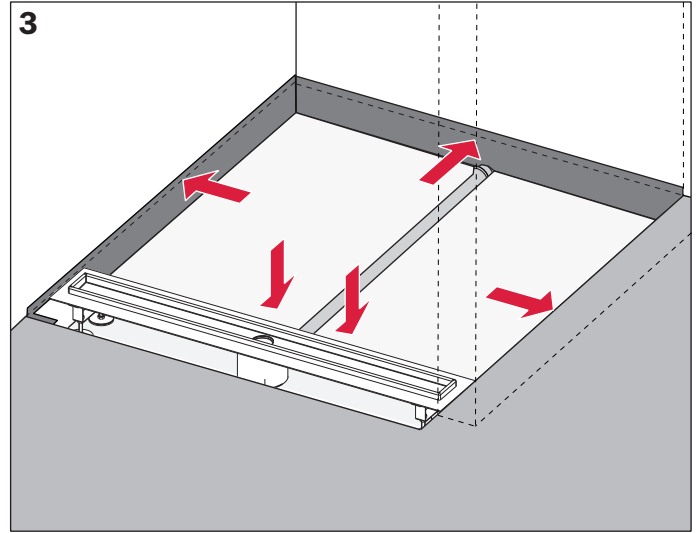
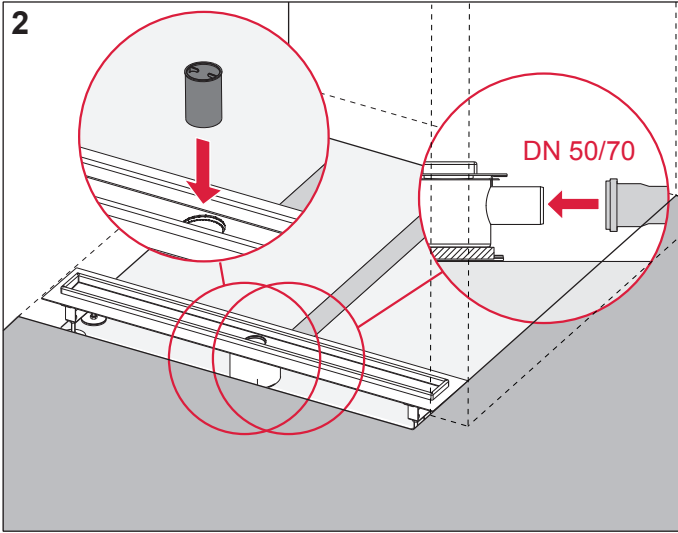
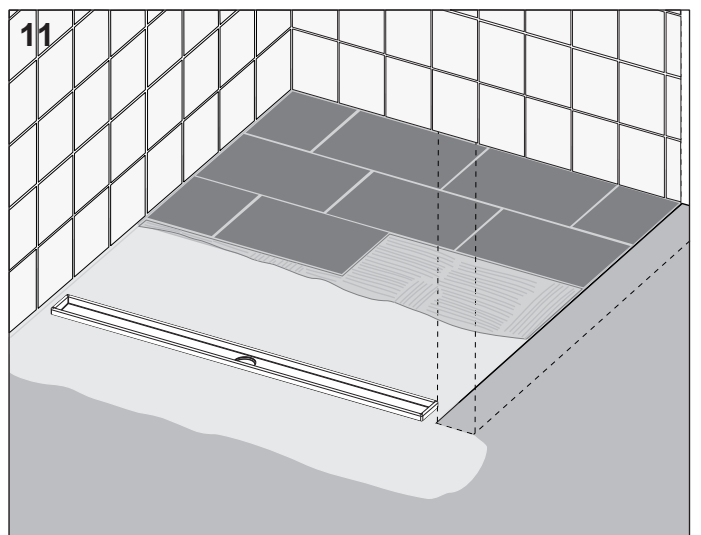
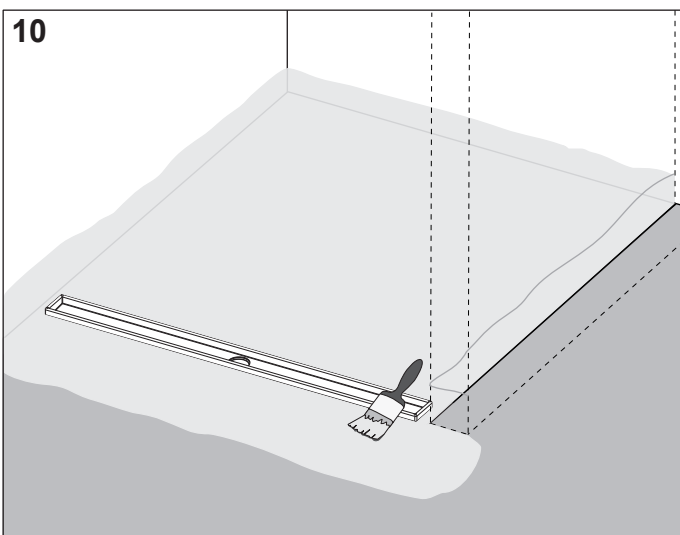
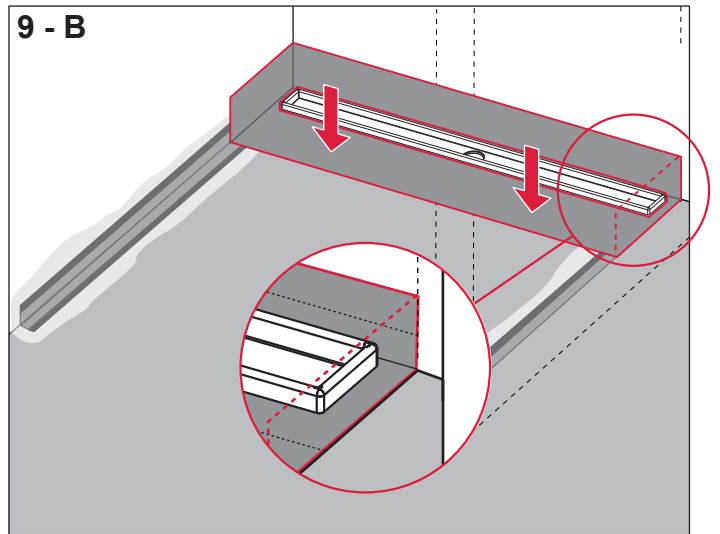
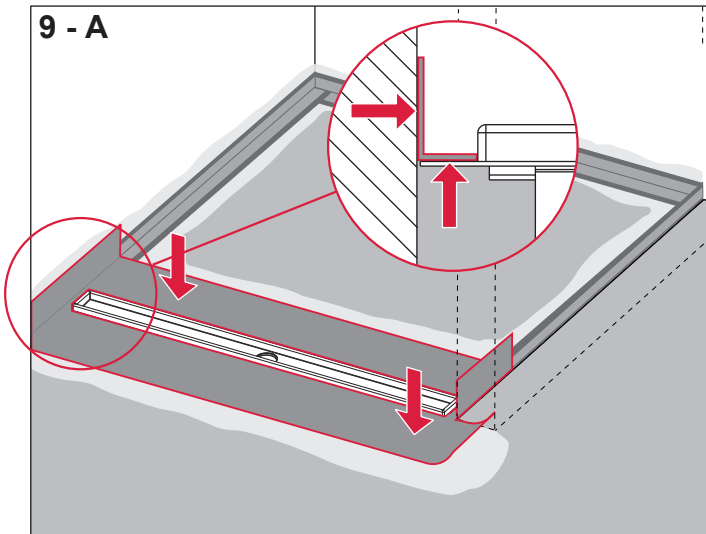
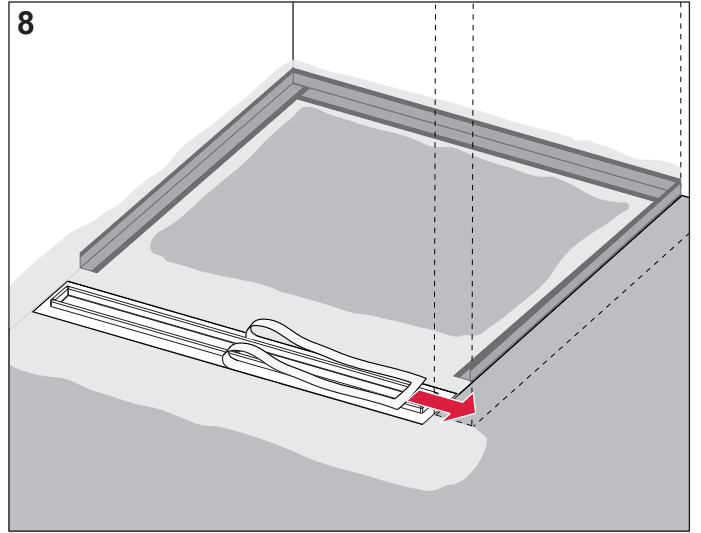
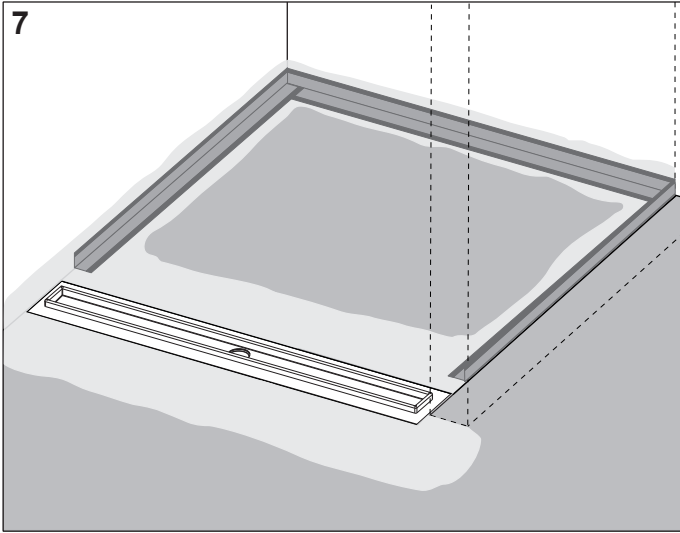


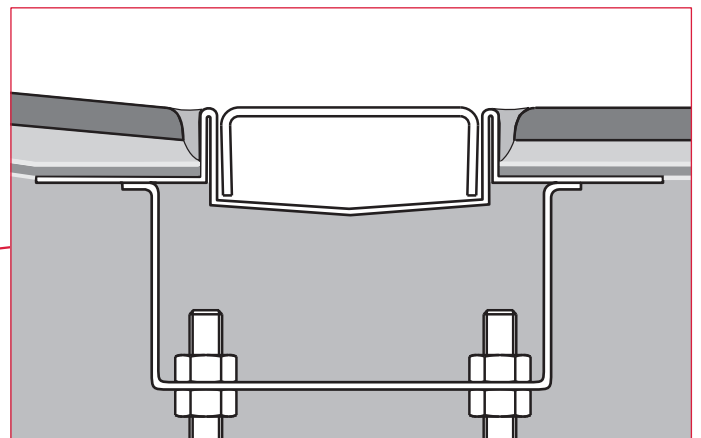
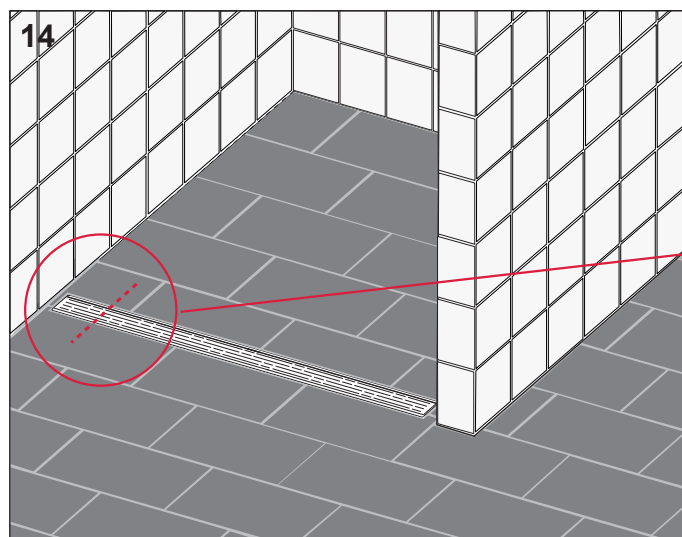
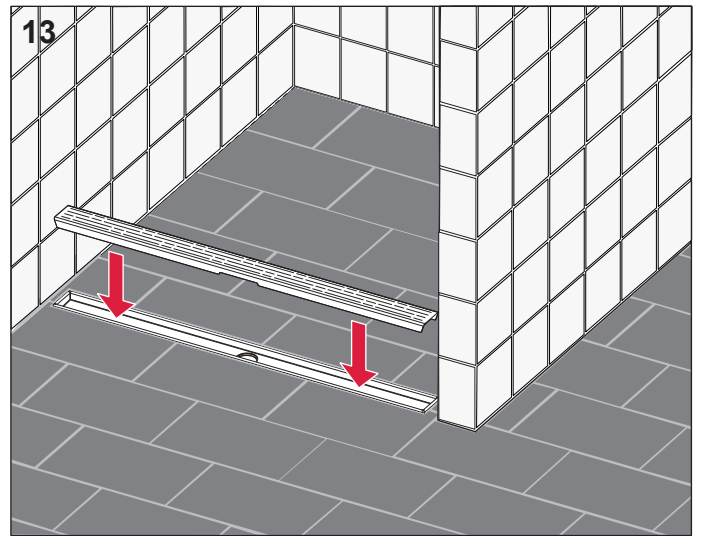
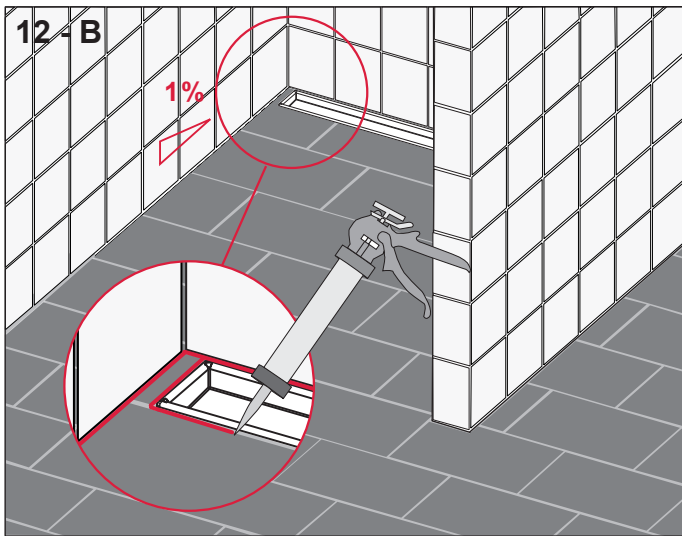
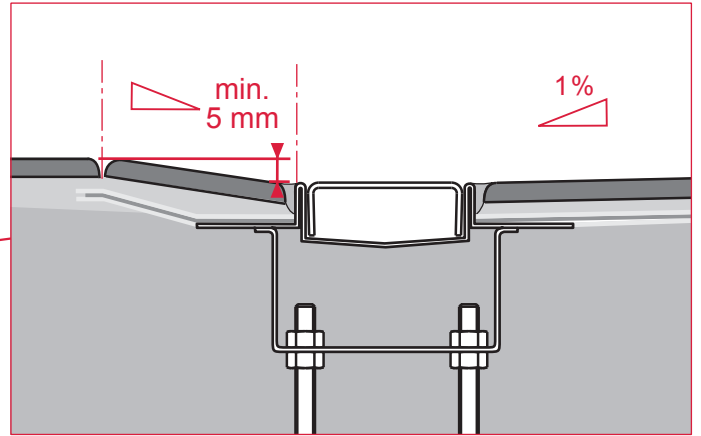
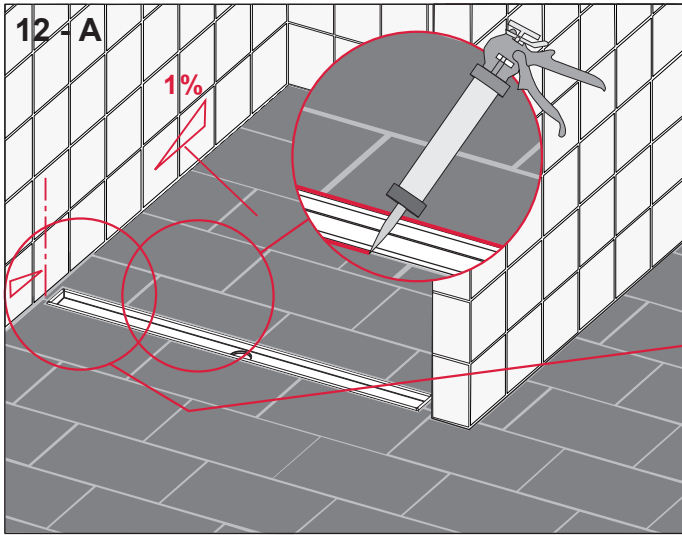
# TECEdrainline



**TECE:**

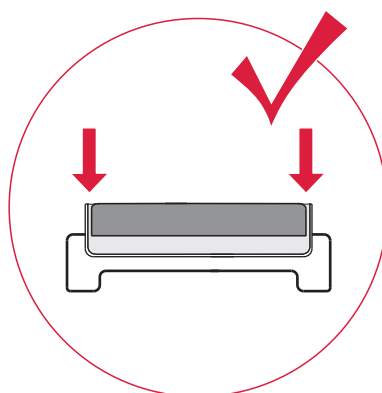
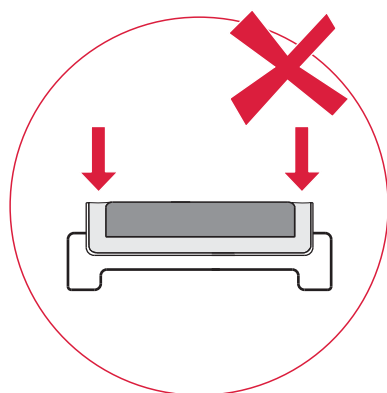
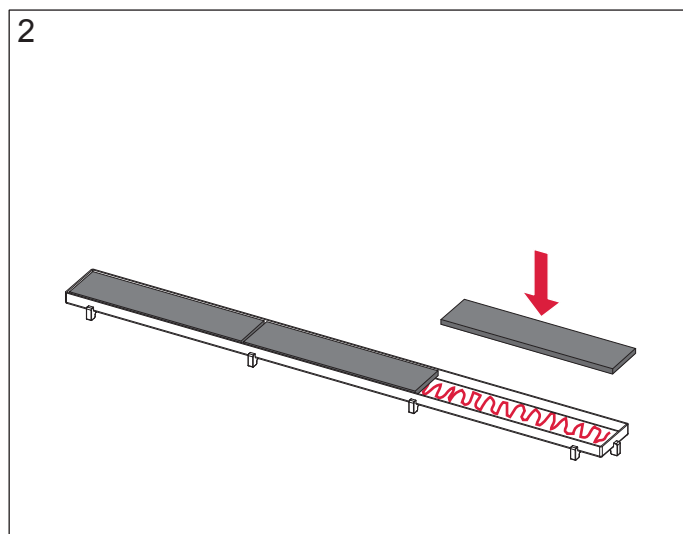
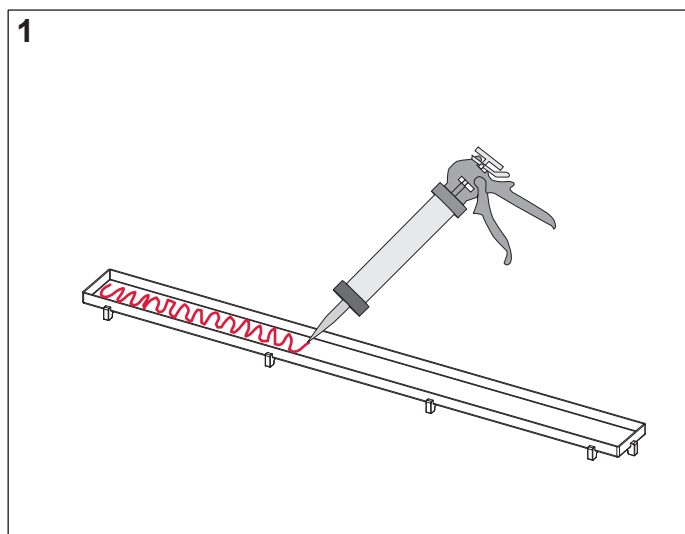
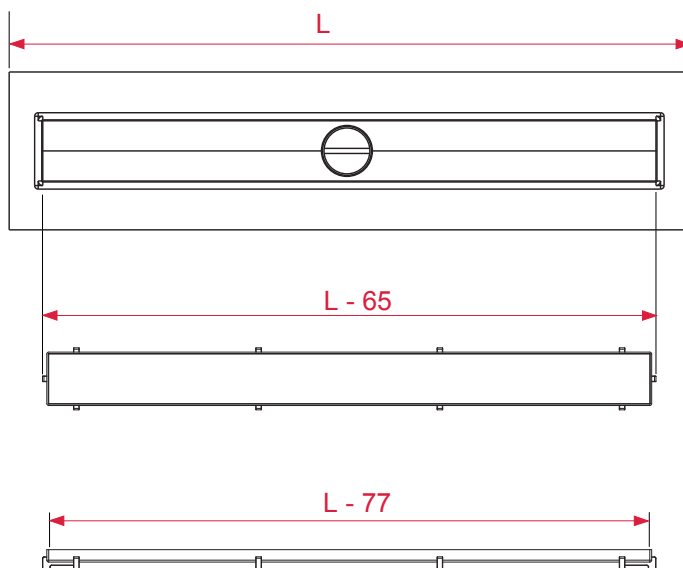
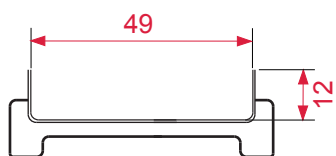
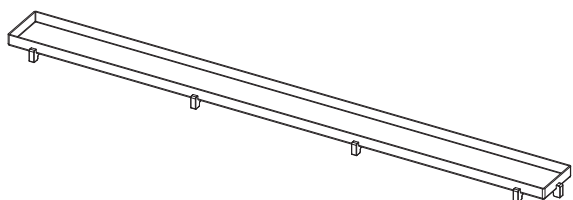






AT430 005 001

# TECEdrainline "plate"



AT430 006 00 a