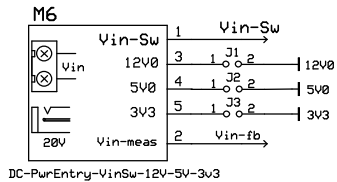
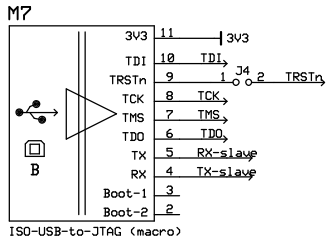
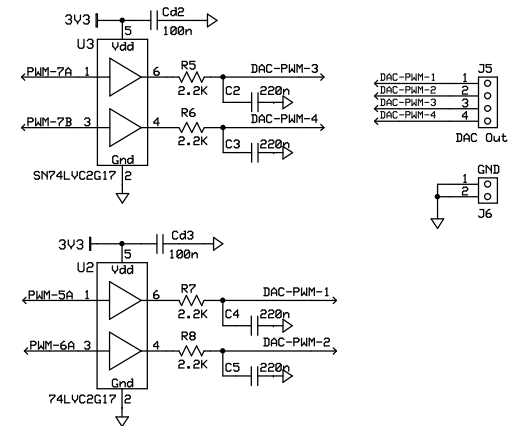
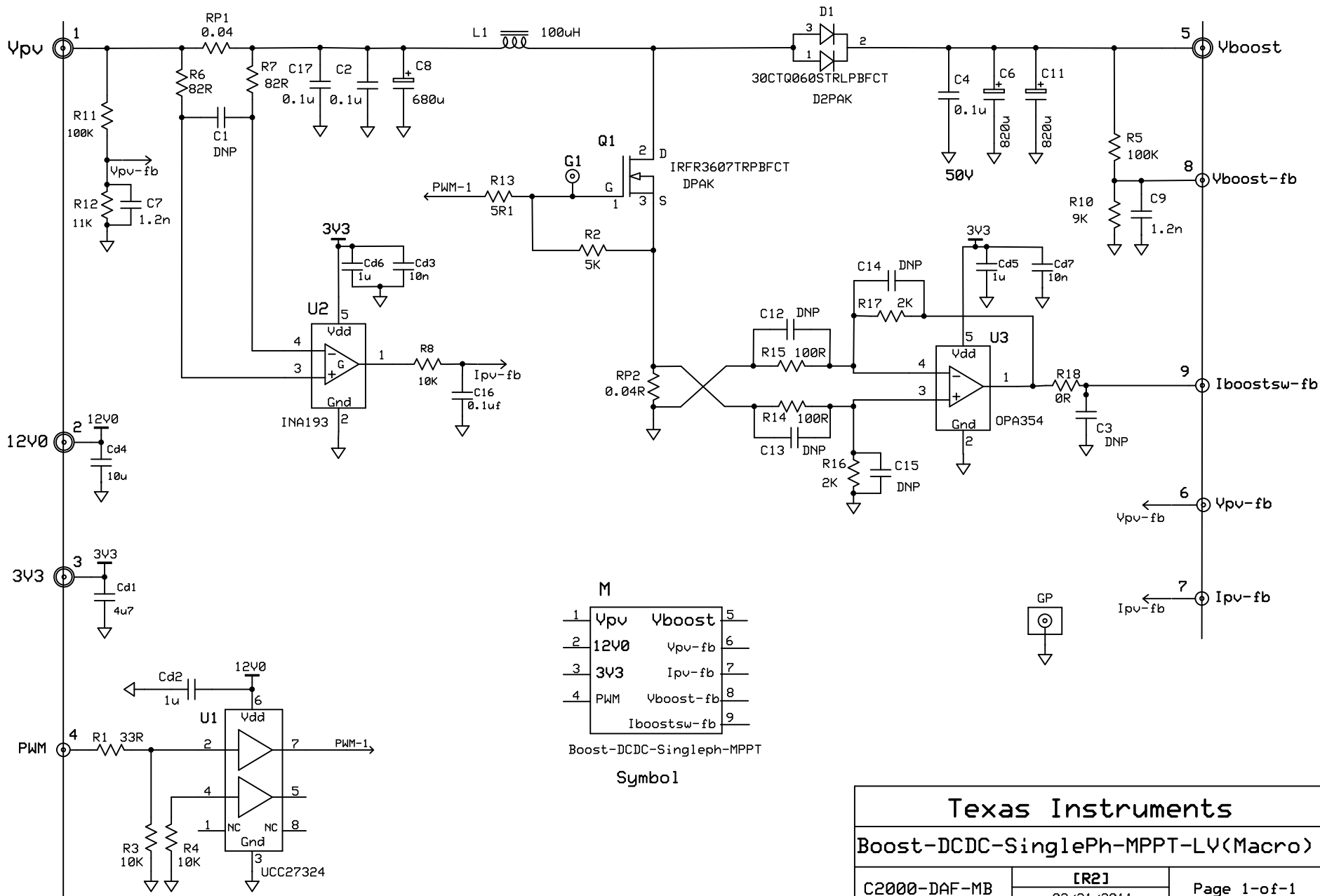
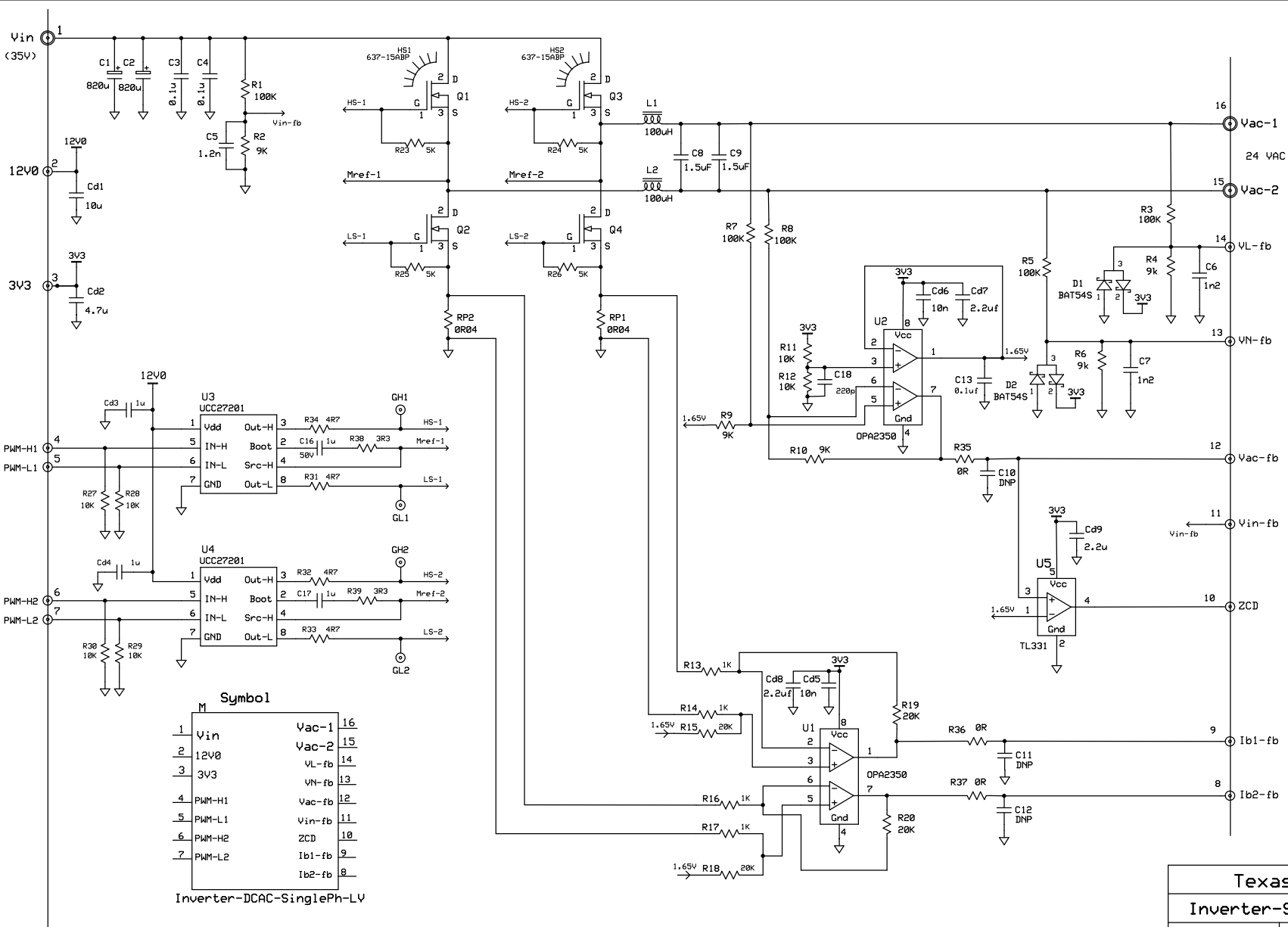


PWM debug DACs



SCHEMATIC DISCLAIMER & WARNINGS
 TI provides the attached Solar Kit schematic drawings to help users develop C2000 based reference design products. Application safety, safety of the Solar Kit and design integrity of such reference designs are solely responsibility of the user. Any reference designs generated off these schematics must take into account electrical shock hazard and personal injury, including considerations for anticipated agency certification compliance requirements. Such product safety design criteria shall include but not be limited to critical circuit creepages and clearances, component selection, ratings (ie output fusing) depending on the specific loads being controlled. TI accepts no responsibility for design integrity of any reference designs based on supplied schematic drawings and the schematics are strictly for development purposes.

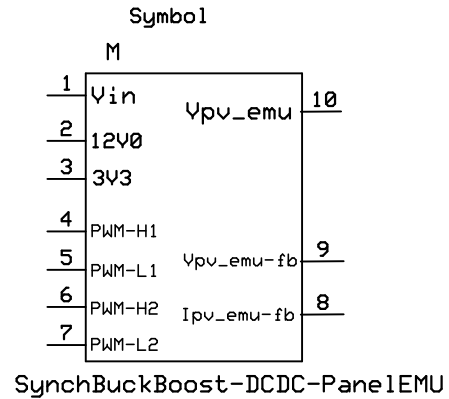
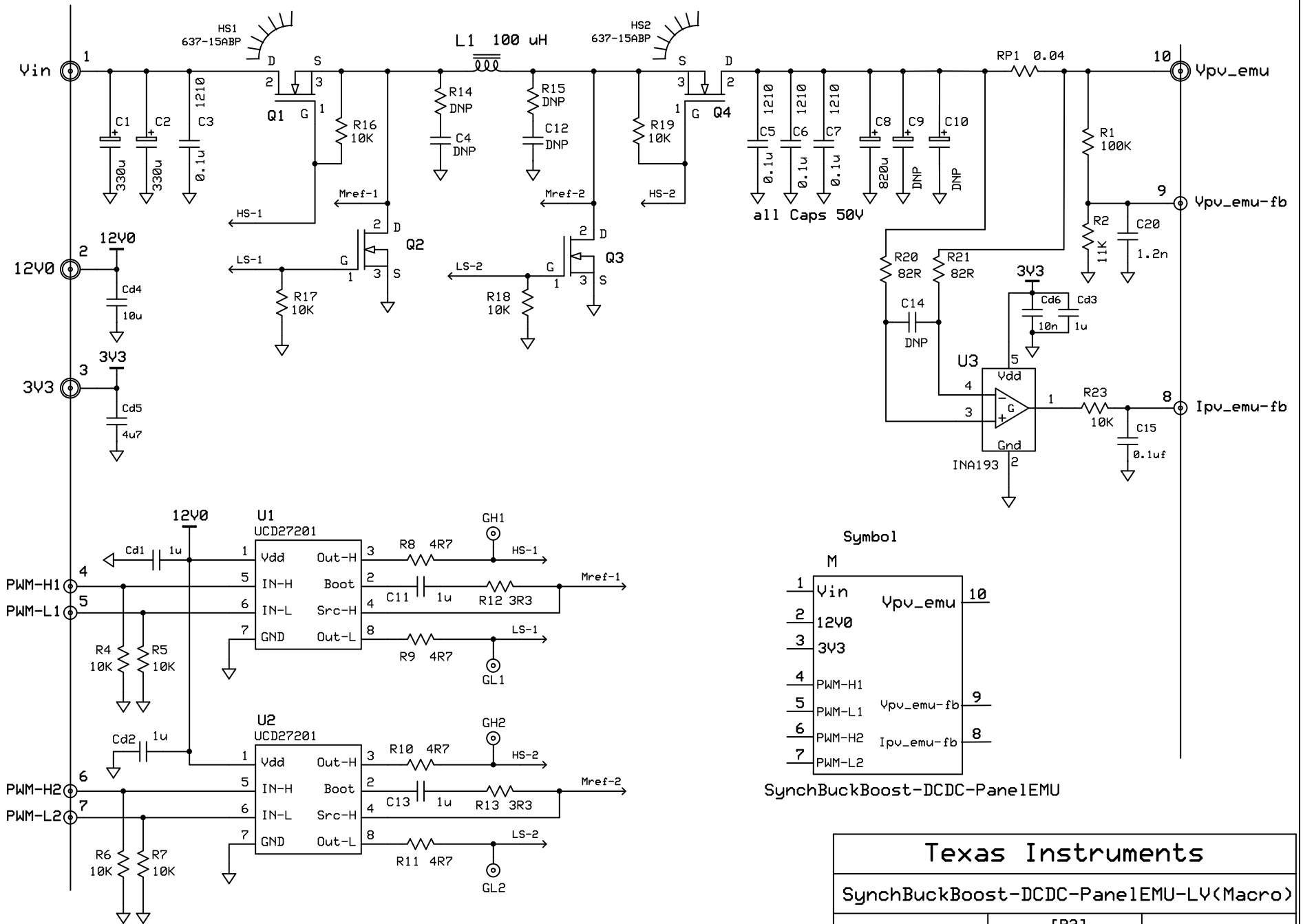


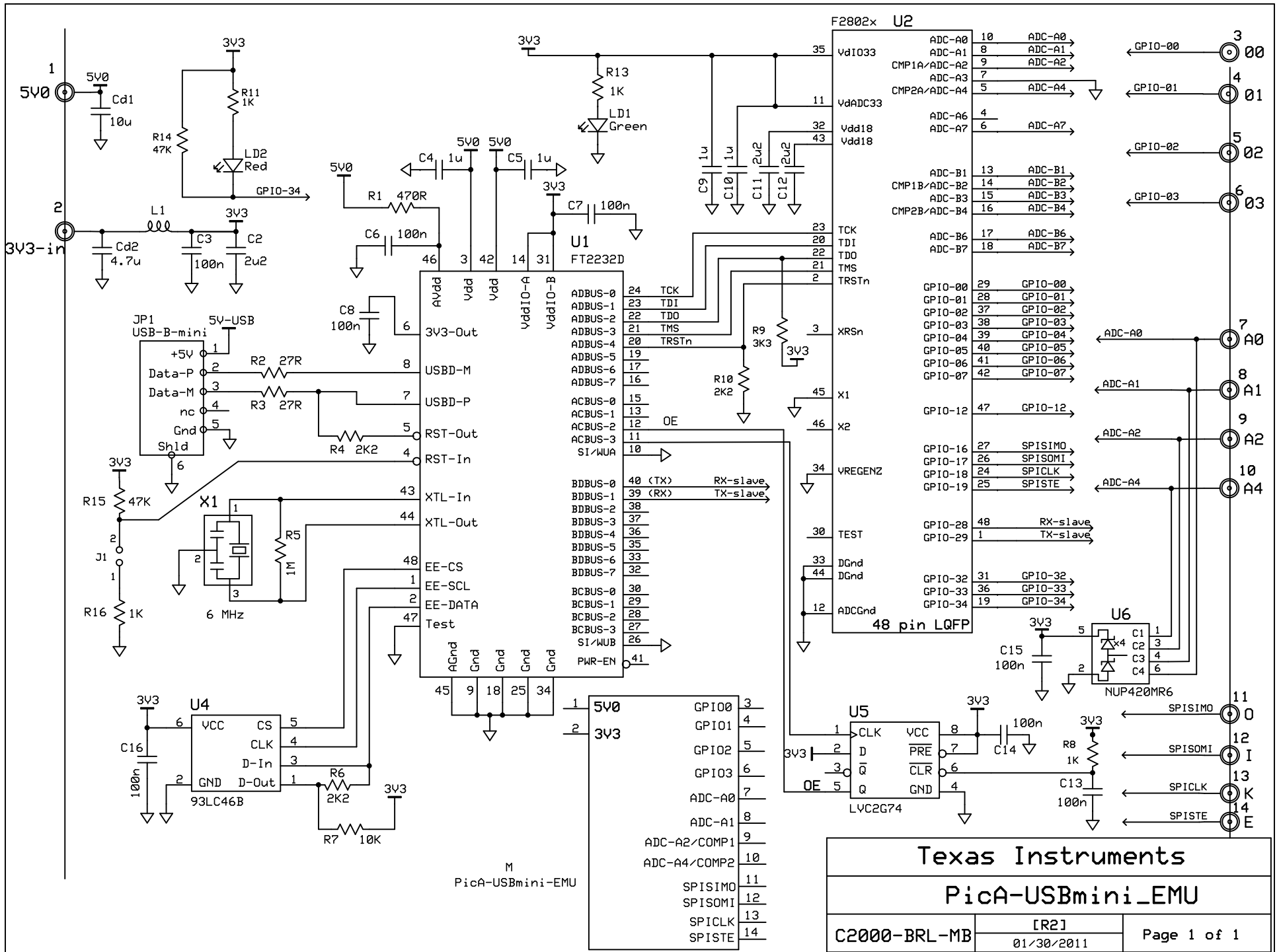


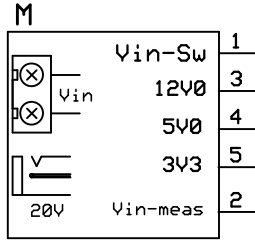
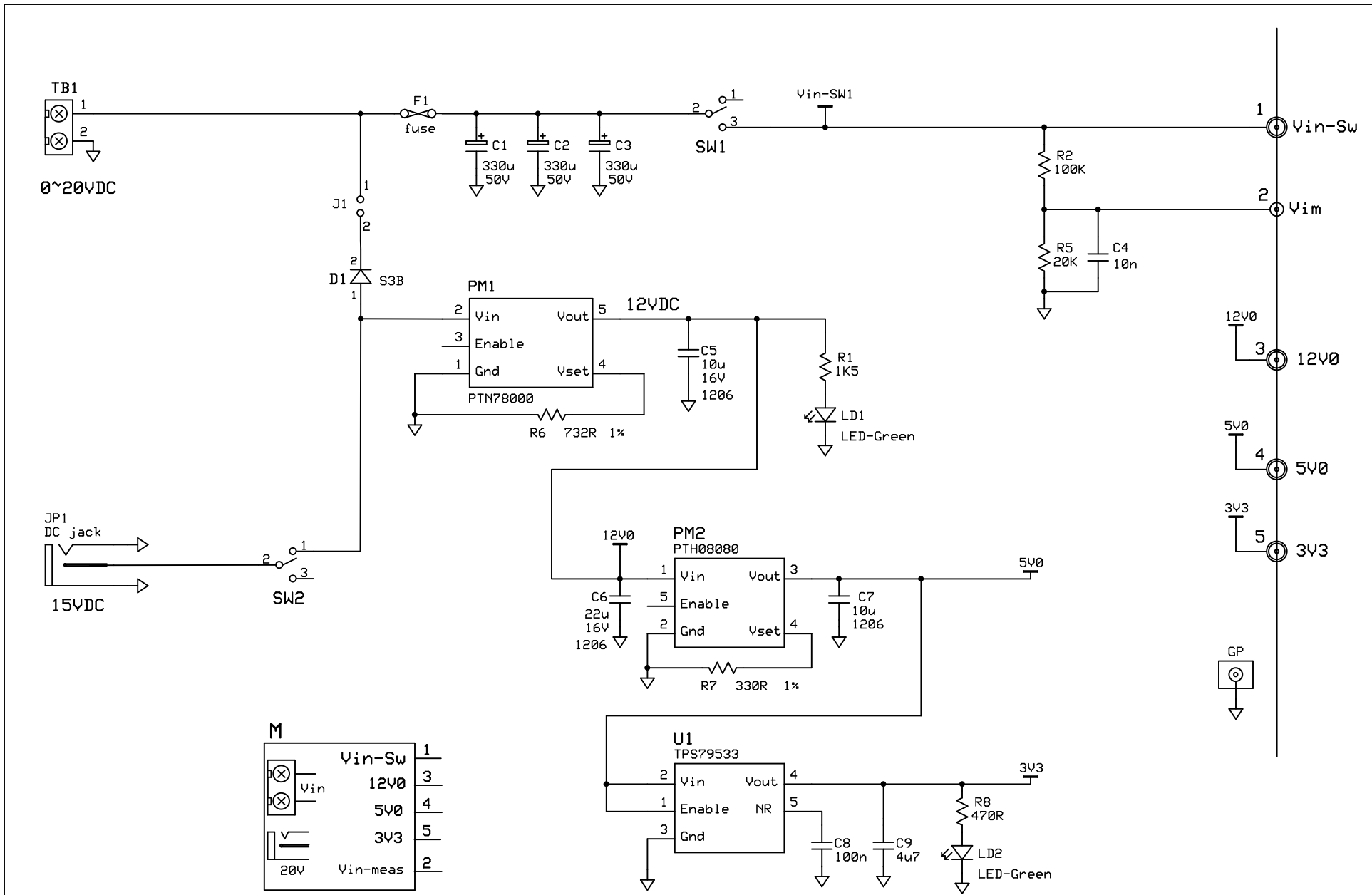
Symbol

1	Vin	Vac-1	16
2	12V0	Vac-2	15
3	3V3	VL-fb	14
4	PWM-H1	VN-fb	13
5	PWM-L1	Vac-fb	12
6	PWM-H2	Vin-fb	11
7	PWM-L2	ZCD	10
		Ib1-fb	9
		Ib2-fb	8

Inverter-DCAC-SinglePh-LV

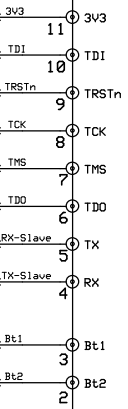
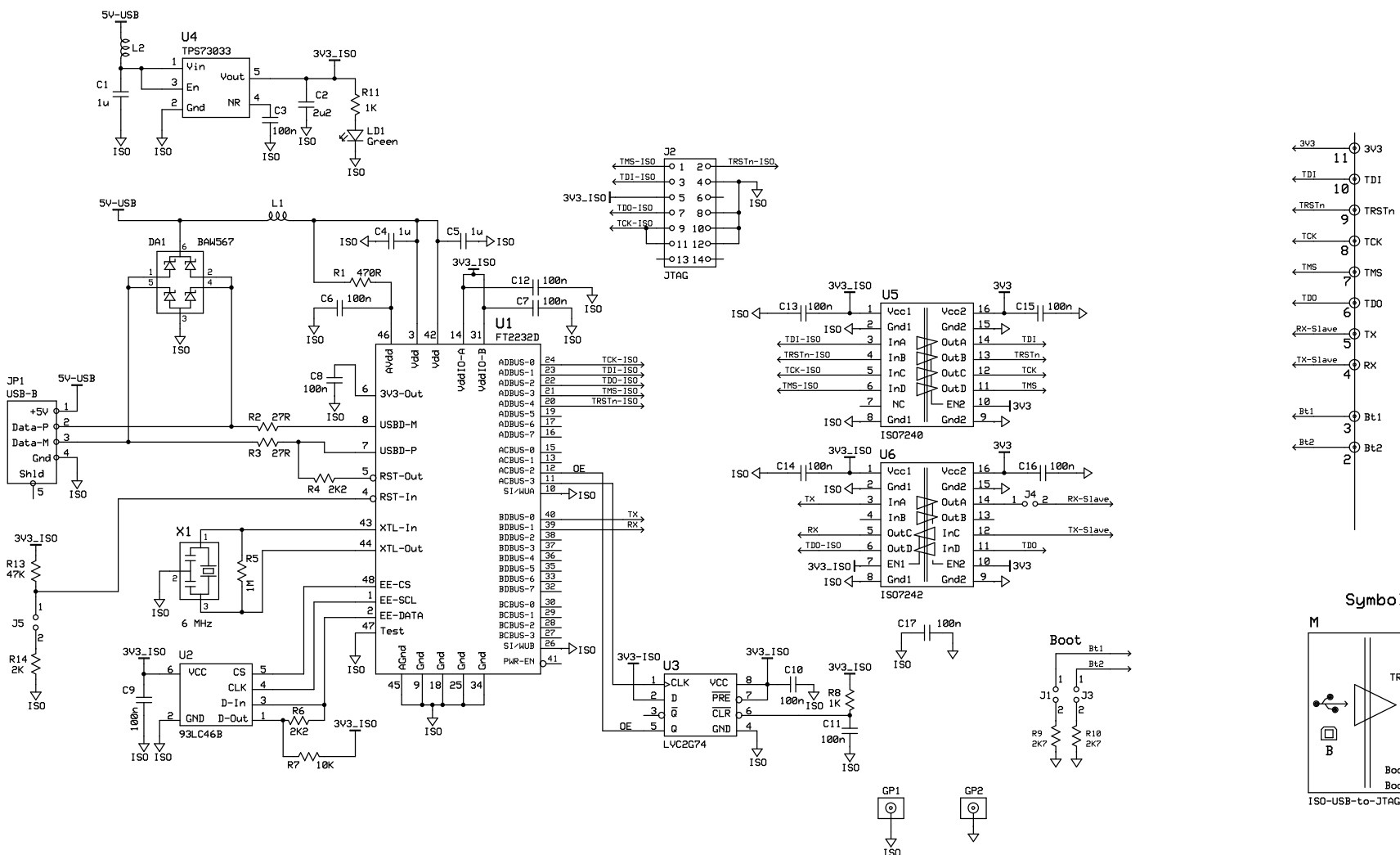




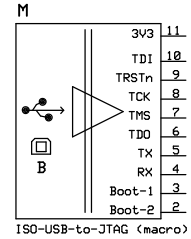


DC-PwrEntry-VinSw-12V-5V-3V3
(Symbol)

Texas Instruments		
DC-PwrEntry-VinSw-12V-5V-3V3 (Macro)		
C2000-DAF-MB	[R1]	Page 1-of-1
	12/03/2010	



Symbol



ISO-USB-to-JTAG (macro)