

System Wall Heating

for plastered completion of interior

Variotherm

Variotherm
Heating Systems

Give warmth to life



System

Variotherm System Wall Heating: Individual, friendly & energy saving.



Every component of Variotherm System Wall Heating for plastered completion of interior - from the Varioclimate Pipe to the tiniest granule of the Eco-Heating plaster - is individual, friendly and energy saving.

Why?

Being a complete and well thought-out system Variotherm System Wall Heating heats family homes just as efficient as office buildings and it is friendly to your wallet.

Saving energy with our System.

Our System Wall Heating does not provide you with plain pipes but with a COMPLETE SYSTEM. This system is in line with the laws of building physics and is focused on optimum heat transmission and maximum functionality saving energy and money.

The components of Variotherm System Wall Heating:

- Resilient bar (SWH2)
Low structural height of 21.5 mm
- Breathable pre-coated base panel (1000 x 500 x 10 mm) with integrated resilient bar, and impact peg (SWH1)
- Varioclimate Pipe 16 x 2 mm
Specifically designed 5-layer-composite pipe with napped surface structure for optimum heat transmission and plaster bonding 100% impermeable to oxygen and water vapour diffusion.
5 cm bending radius
- Retaining clip for return pipe
- Eco-Heating Plaster: High dry weight und thus high thermal conductivity. Excellent heat storage. No condensate problems if used for cooling. Suitable for manual and machine plastering.
- Plastering Lattice 7 x 7 mm

After assembling our COMPLETE SYSTEM finishing plaster like lime cement or lime plaster can be applied.



Resilient bar
(SWH2)



Base panel
(SWH1)



Varioclimate Pipe



Retaining clip,
nail pegs



Bending model
and calibrator



Eco-Heating
Plaster



Plastering
lattice



Wall Heating

Lasting benefits: Variotherm System Wall Heating is individual, energy saving & friendly

From small single family homes to apartment buildings up to huge production sites – the energy saving System Wall Heatings are used everywhere. And the best thing about them: They are completely invisible!

Variotherm System Wall Heatings increase the human comfort level considerably. They produce longwaved horizontal infrared RADIANT HEAT which provides ultimate comfort, just like sun warmth which is also radiant heat. Unlike heat from conventional heating systems radiant heat does not travel upwards and dust circulation is avoided. Variotherm System Wall Heating is thus ideal for your comfort and provides a healthy room climate.



Interior views of three single brick homes. An excellent example of how Variotherm Wall Heating emphasises sophisticated design.



Revitalized 18th century hunting lodge where Variotherm System Wall Heatings spread comfortable radiant heat



Office building and production site with Variotherm System Wall Heating. In summer they are used as wall air conditioning. For this purpose cold water from the ground is pumped through a large plate heat exchanger.



ating

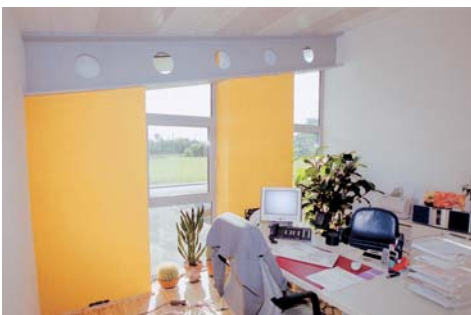


In schools, in bathrooms of romantic hotels, in living rooms of low energy houses or as cozy bench in a senior citizen residence – Variotherm System Wall Heating always fits.



the family
example
ating
interior

site furnished
l Heatings. In
ll cooling. For
n a well is run
at exchanger.



Individual technology

Simple assembly

Variotherm System Wall Heating come in two individual designs: WH1 and WH2. Both wall heatings have one thing in common: Their simple installation.

Fastening of pipe parallel attachment (SWH2)



Simple and fast installation of Varioclimate pipe



Application of Eco-Heating plaster by machine



...or manually



Heating circuit distributor



Variotherm room temperature controls



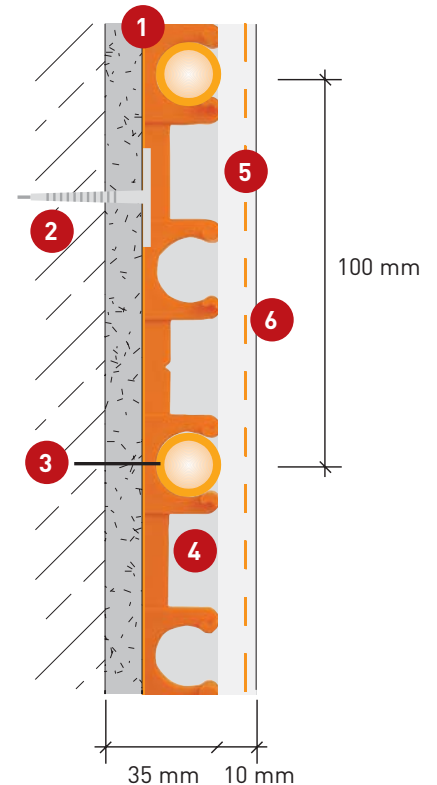
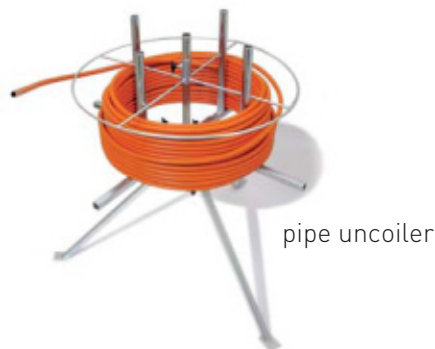
Easy identification of Varioclimate Pipes with pipe locator



System Wall Heating Type SWH1

35 mm structure height including base panel. For exterior walls of brick construction with a U-value of 0.3 – 0.5 W/m²K as thermal brake or as plaster base for backgrounds which are not suitable for plaster.

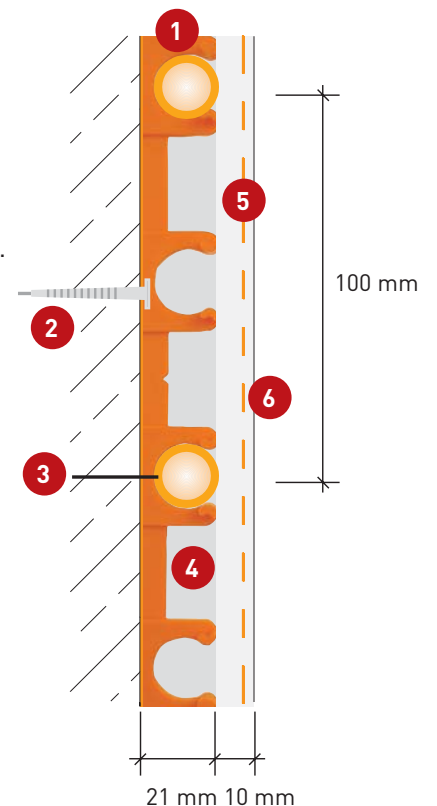
- 1 Base panel with resilient bar
- 2 Fastening with impact peg
- 3 Varioclimate Pipe 16 x 2 mm
- 4 Eco-Heating Plaster
- 5 Plastering lattice
- 6 Finishing plaster (provided by customer)



System Wall Heating Type SWH2

21 mm structural height. For exterior walls of brick construction with a plaster-suitable background and a U-value smaller or equal 0.3 W/m²K or for interior walls.

- 1 Resilient bar
- 2 Fastening with nail peg
- 3 Varioclimate Pipe 16x2
- 4 Eco-Heating plaster
- 5 Plastering lattice
- 6 Finishing plaster (provided by customer)



The advantages of Variotherm System Wall Heating:

- Optimum heat transmission: Heating operates with lowest possible water heating temperature.
- Cost-efficient! Helps save heating costs.
- Large-area LOW TEMPERATURE SYSTEM - Through use of wall storage ability exceptionally energy saving.
- 1 COMPLETE SYSTEM from one manufacturer – no warranty problems for installer.
- Unique on the market: Varioclimate Pipe was specifically designed for wall heatings for plastered walls.
- Variotherm System Wall Heatings offer best possible combination of components (wall panel, heating pipe, plaster)
- Variotherm WALL HEATING – COMPLETE SYSTEM offers greatest possible EFFICIENCY and an EXCELLENT COST EFFECTIVENESS.
- 10 cm pipe spacing of Varioclimate Pipe enables easy identification of pipes with Variotherm Pipe Locator (Hanging of pictures etc.)
- Variotherm System Wall Heatings bear the IBO-Quality seal (Austrian Institute of Healthy and Ecological Building)!
- Breathable building materials – healthy for your family & home
- Proven technology for more than 20 years in thousands of homes and buildings
- 10 years-warranty with warranty certificate



Your Variotherm-Partner

Variotherm Heizsysteme GmbH

Günselsdorfer Straße 3a
A-2544 Leobersdorf

Tel.: (++43) 022 56 - 648 70-0
Fax: (++43) 022 56 - 648 70-9

office@variotherm.at www.variotherm.at

